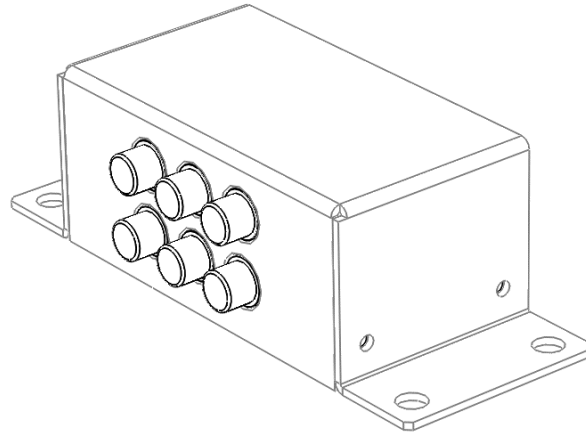




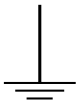
hornet-sm™

surface mount

Integrator's Guide



IMPORTANT - READ FIRST



Ground Connection - For successful installation of the Hornet Cat5 receiver, there must be a valid ground connection. Ensure the AC Outlet is wired properly.

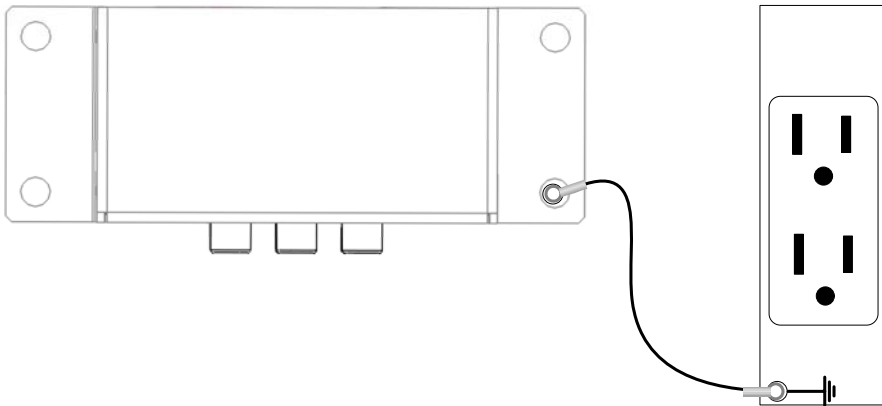


Figure 1 – Additional ground connection

- 1) If the display has no ground connection (only has a two wire AC plug), then connect the Hornet's mounting bracket to the AC outlet as shown in Figure 1.

Pin	Color
1	White / Orange
2	Orange
3	White / Green
4	Blue
5	White / Blue
6	Green
7	White / Brown
8	Brown

Table 1 - TIA/EIA-568-B wiring

- 2) Wire the Cat5 cables as shown in Table 1. The cables should be wired the same at both ends.
- 3) Test all cables for correct wiring with a network cable tester. **Failure to test your cables can damage the Hornet module.**
- 4) Connect the two Cat5 cables to the Hornet receiver.